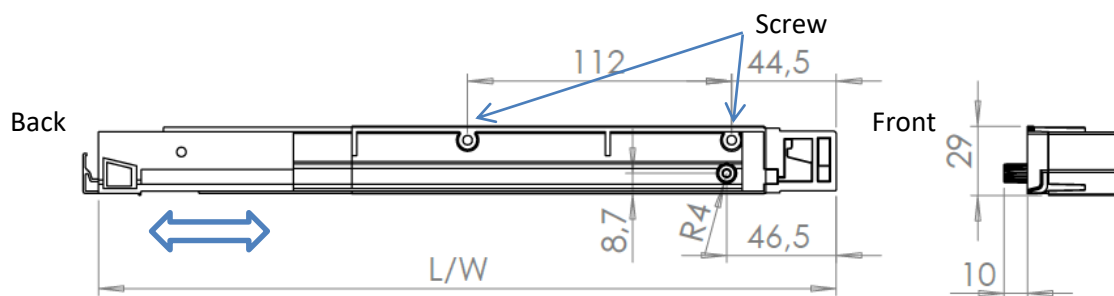
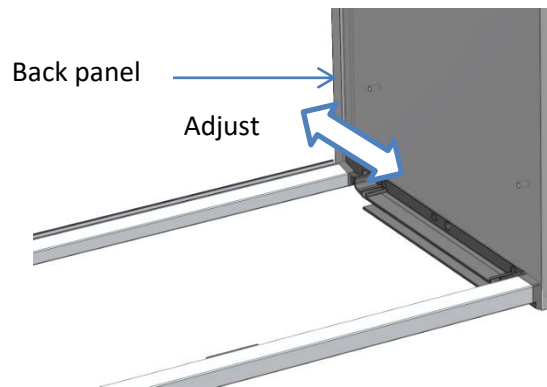


### Mounting instructions

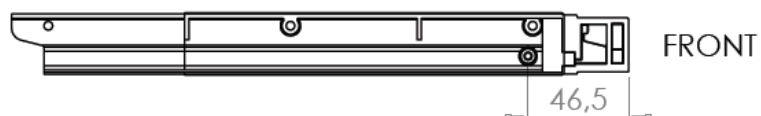
Shark platerack with aluminium frame and plastic sides two shelves



- Place the frame in the cabinet bottom and screw



- Place the top frame on the sides of cabinet and screw



- Put the shelves on the supports and the draining tray on the side slides

